

Perma-Shield® Gliding Patio Doors



CUSTOM SIZING!
 in 1/8" increments.

**SECTION
 REFERENCE**

Table of Basic Unit Sizes	220
Opening Specifications	221
Basic Unit Details	221
Joining Details	222
Standard Divided Light Patterns	230
Combination Designs	231
Performance Data	247

Andersen® 200 Series Perma-Shield® gliding patio doors have a contemporary look and a weathertight design. Protected inside and out by Perma-Shield® vinyl cladding, this tried-and-true classic makes maintenance minimal.

Perma-Shield® Gliding Patio Doors

Standard Features



Options

COLOR



Specify a unit color option to complete your order: White, Sandtone or Terratone® color.

HARDWARE*

Expanded Offering

Andersen gliding patio doors are available with hardware from the Metro®, Estate™ and Andiron® hardware collections in a variety of styles and finishes. Mix-and-match style and finish options are available to get just the right look inside and out. See pages 4-5 for complete descriptions.

FRAME

A The sill of the Andersen® Perma-Shield® gliding patio door has an anodized aluminum track with a stainless steel cap that resists stain, rust and denting.** A thermal barrier reduces conductive heat loss and checks condensation on the inside.

B All basic exterior frame members are covered with a rigid vinyl (PVC) sheath, which maintains an attractive appearance while minimizing maintenance. Andersen Perma-Shield gliding patio doors are available in three neutral color options. Specify White, Sandtone or Terratone® color.

C Wood frame members are treated with a water-repellent preservative for long-lasting** protection and performance.

Gliding patio doors are shipped unassembled and require jobsite assembly.

D A flexible PVC weatherstrip on the head and side jambs provides a positive seal between the frame and panels.

PANEL

E All panel surfaces are covered with a rigid vinyl (PVC) sheath which maintains an attractive appearance while minimizing maintenance. Available in White, Sandtone or Terratone® color.

F Laminated veneer lumber panels provide excellent structural stability and energy efficiency.

Dual rollers on door panels provide smooth gliding operation with self-contained leveling adjusters.

GLASS

G A rigid vinyl or CPVC glazing bead features a flexible lip which provides superior weathertightness and long-term durability.

H Andersen dual-pane insulating tempered, Low-E tempered or Low-E Sun tempered glass helps keep the home cool in summer, warm in winter. (Glass option must be specified.)



Flexible Seal

A patented full-length combination weatherstrip/interlock system provides a flexible seal at the meeting stile.



Reachout Locking Hardware

The unique Andersen reachout locking system pulls the door panel snugly into the jamb for weathertightness and enhanced security.

* Sold separately.

Note: Andersen® patio doors are not intended for use as entrance doors.

Accessories

FRAME

Extension Jamb*

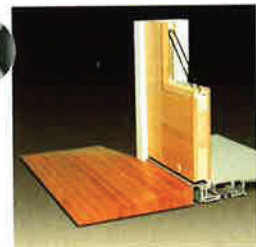
Standard jamb depth is 4-9/16" (116). Clear pine, oak or maple veneer or white interior extension jambs are available for the following wall thicknesses:

- 5-1/4" (133)
- 6-9/16" (167)
- 7-1/8" (181)



Threshold*

An oak or maple threshold is available for finishing the interior of the sill.



Ramped Sill Insert*

Provides smooth transition from interior to exterior. Can be used with retractable insect screen, but not gliding insect screen. Shown here with Frenchwood® patio door. (Specifier must check with local and federal officials to determine if product meets accessibility codes.)



Sill Support*

An aluminum sill support is designed to lock into a channel under the sill and tie back into the wall. This will offer support to the outermost sill section when needed. Available in neutral gray finish.

HARDWARE



Exterior Keyed Lock*

A six-pin key cylinder lock is available for all patio doors in finishes that coordinate with hardware. This lock allows the patio door to be locked and unlocked from the exterior.



Auxiliary Foot Lock*

This gliding door panel auxiliary foot lock provides an extra measure of security when the door is in a locked position. Available in finishes that coordinate with hardware.

INSECT SCREENS



Perma-Clean® Gliding Insect Screen*

Perma-Clean® gliding insect screens are available for two-panel doors in White, Sandtone or Terratone® color baked-on enamel finish. Patented square corner joint construction adds considerable strength to the frame members, and the long-lasting** glass fiber insect screen cloth has a charcoal finish. Delrin® injection molded bottom rollers with self-contained leveling adjusters provide smooth operation. Interior and exterior pulls are provided.



Perma-Clean® Retractable Insect Screen*

The retractable insect screen is installed on the exterior of the door and opens side-to-side across the width of the opening. When the insect screen is not in use, it neatly retracts into a small canister mounted on the exterior of the door. The retractable insect screen canister is available for two-panel patio doors in White, Sandtone and Terratone® colors. Please note, retractable screen track reduces clear opening height by 1".

SIDELIGHTS

Stationary units can be selected for use as sidelights. See page 220 for size options.

CAUTION:

- Painting and staining may cause damage to rigid vinyl.
- Products in Sandtone or Terratone® color may be painted any color lighter than Terratone using quality oil-base or latex paint. Submit color samples to Andersen for approval when painting White. Submit color samples to Andersen for approval when painting Sandtone or Terratone any color darker than Terratone.
- Creosote-based stains should not come in contact with Andersen products.
- Do not paint weatherstripping.
- Abrasive cleaners or solutions containing corrosive solvents should not be used on Andersen products.
- For vinyl painting instructions and preparation, contact your Andersen supplier.
- Andersen does not warrant the adhesion of paint to vinyl.

* Sold separately.

** For complete information on our limited warranties, visit andersenwindows.com or contact your Andersen supplier.

®Delrin is a registered trademark of E.I. duPont deNemours and Company.

For More Information

See pages 1-11 for more about:

**Glass Options
Grilles
Hardware
Installation Accessories**

Perma-Shield® Gliding Patio Doors

Table of Basic Unit Sizes Scale 1/8" = 1'-0" (1:96)

Exterior views shown. Arrow indicates direction of panel.

1/8" increments

Custom sizes available in 1/8" increments between the smallest and largest standard patio door sizes. Some restrictions apply. Contact your Andersen supplier for availability.

Divided Light Patterns for Patio Doors

In addition to the Colonial grille patterns shown in the table of basic unit sizes, other standard divided light patterns are available. See page 230 or visit andersenwindows.com/grilles.

Unit Dimension	4'-11 1/4" (1505)	4'-11 1/4" (1505)	5'-10 1/2" (1791)	5'-10 1/2" (1791)
Minimum Rough Opening	5'-0" (1524)	5'-0" (1524)	5'-11 1/4" (1810)	5'-11 1/4" (1810)
Unobstructed Glass	24 3/4" (629) 24 3/4" (629)	24 3/4" (629) 24 3/4" (629)	30 3/8" (772) 30 3/8" (772)	30 3/8" (772) 30 3/8" (772)
Grille order number:	PS5068L *	PS5068R *	PS51168L *	PS51168R *

Unit Dimension	6'-0" (1829)	6'-0" (1829)	3'-2 3/8" (975)	8'-0" (2438)	8'-0" (2438)	4'-2 3/8" (1280)
Minimum Rough Opening	6'-0 3/4" (1848)	6'-0 3/4" (1848)	3'-3 1/8" (994)	8'-0 3/4" (2457)	8'-0 3/4" (2457)	4'-3 1/8" (1299)
Unobstructed Glass	31 1/8" (791) 31 1/8" (791)	31 1/8" (791) 31 1/8" (791)	31 1/8" (791)	43 1/8" (1095) 43 1/8" (1095)	43 1/8" (1095) 43 1/8" (1095)	43 1/8" (1095)
Grille order number:	PS61611L	PS61611R	PS33611S	PS81611L	PS81611R	PS43611S

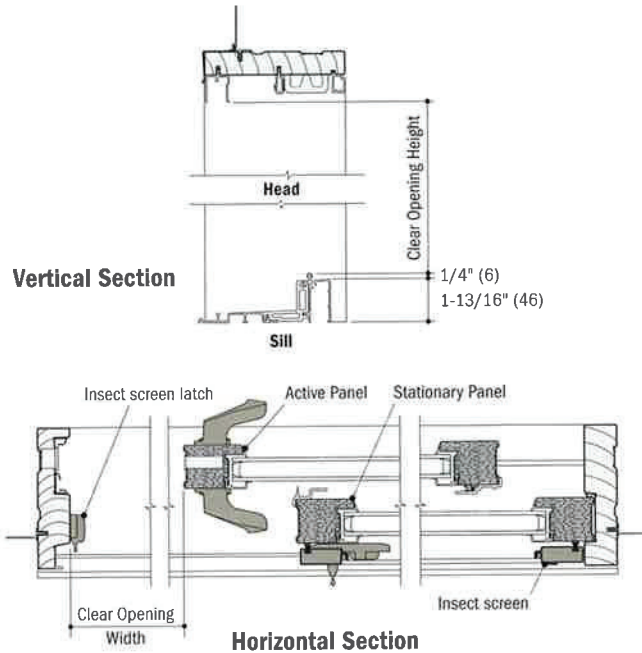
Unit Dimension	6'-0" (1829)	6'-0" (1829)	3'-2 3/8" (975)	8'-0" (2438)	8'-0" (2438)	4'-2 3/8" (1280)
Minimum Rough Opening	6'-0 3/4" (1848)	6'-0 3/4" (1848)	3'-3 1/8" (994)	8'-0 3/4" (2457)	8'-0 3/4" (2457)	4'-3 1/8" (1299)
Unobstructed Glass	31 1/8" (791) 31 1/8" (791)	31 1/8" (791) 31 1/8" (791)	31 1/8" (791)	43 1/8" (1095) 43 1/8" (1095)	43 1/8" (1095) 43 1/8" (1095)	43 1/8" (1095)
Grille order number:	PS6180L	PS6180R	PS3380S	PS8180L	PS8180R	PS4380S

- * These units are sized to replace problem doors. Rough opening height is 6' 8" on PS5068 and PS51168 sizes. Door operation may be specified as either left- or right-hand as viewed from the outside.
- Rough opening dimensions may need to be increased to allow for use of building wraps, flashings, sill panning, brackets, fasteners or other items. See page 12 for more details.
- "Unit Dimension" always refers to outside frame to frame dimension.
- Dimensions in parentheses are in millimeters.
- "S" designates a stationary unit which can be used as an individual unit or a sidelight.
- Combinations of door units joined together may require horizontal or vertical reinforcement. This reinforcement should be specified by a professional engineer.
- When ordering, be sure to specify color desired: White, Sandtone or Terratone®.

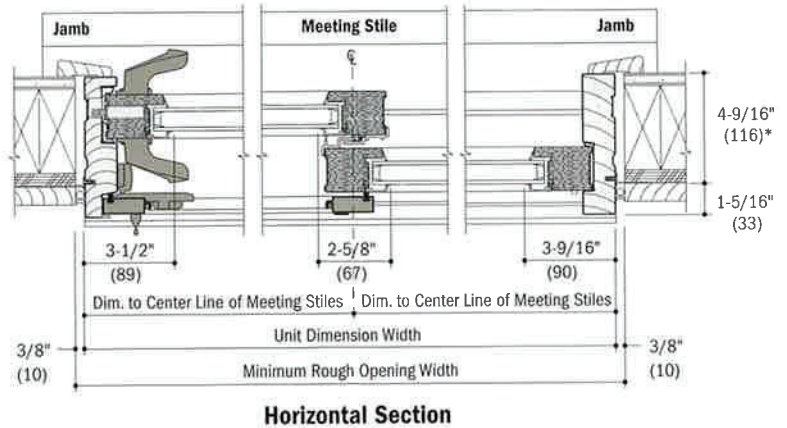
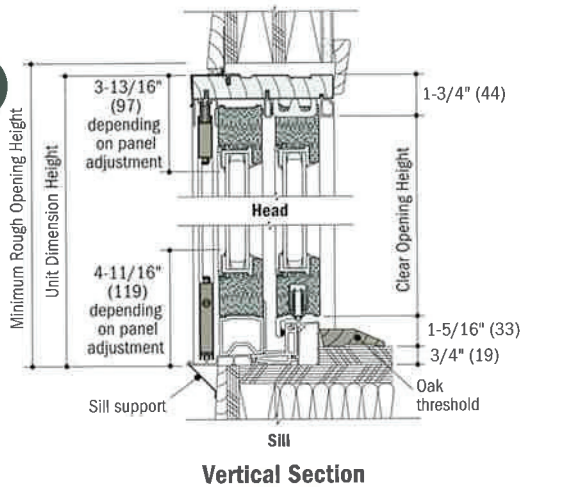
Perma-Shield® Gliding Patio Door Opening Specifications

Unit No.	Sq. Ft. (m ²) Clear Opening	Max. Clear Opening In Full Open Position in inches (and mm)		Sq. Ft. (m ²) Glass	Sq. Ft. (m ²) Vent	Sq. Ft. (m ²) Overall Unit Area
		Width	Height			
PS5068	11.64 (1.081)	22 1/8" (562)	75 3/4" (1924)	24.9 (2.313)	11.64 (1.081)	32.71 (3.039)
PS51168	14.6 (1.356)	27 3/4" (705)	75 3/4" (1924)	30.4 (2.824)	14.6 (1.356)	38.92 (3.616)
PS61611	15.56 (1.446)	28 1/2" (724)	78 5/8" (1997)	32.4 (3.010)	15.56 (1.446)	41.19 (3.827)
PS81611	22.11 (2.054)	40 1/2" (1029)	78 5/8" (1997)	44.2 (4.106)	22.11 (2.054)	54.92 (5.102)
PS33611	-	-	-	16.0 (1.486)	-	21.95 (2.039)
PS43611	-	-	-	22.1 (2.053)	-	28.82 (2.677)
PS6180	18.16 (1.687)	28 1/2" (724)	91 3/4" (2330)	37.6 (3.493)	18.16 (1.687)	47.75 (4.436)
PS8180	25.80 (2.397)	40 1/2" (1029)	91 3/4" (2330)	52.1 (4.840)	25.80 (2.397)	63.67 (5.915)

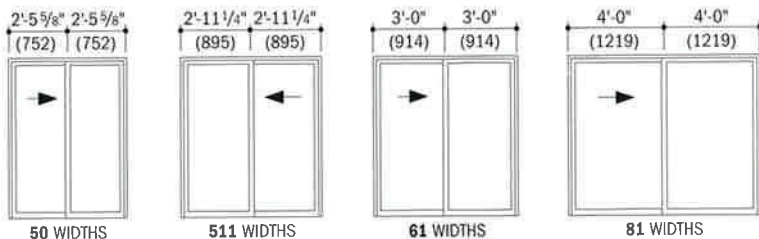
Clear Opening Dimensions Scale 1-1/2" = 1'-0" (1:8)



Basic Unit and Rough Opening Details Scale 1-1/2" = 1'-0" (1:8)



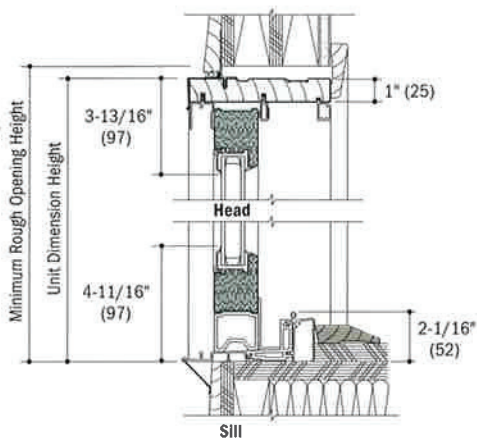
Center Line Meeting Stile Dimensions



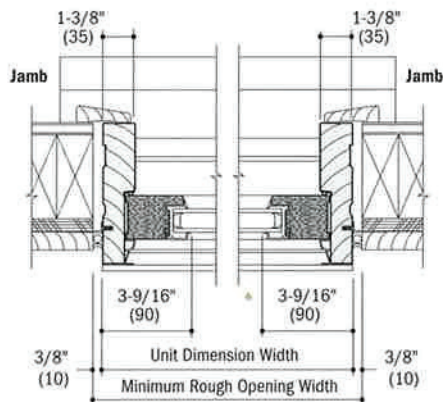
- 4-9/16" measurement is from backside of anchoring flange to edge of extension jamb.
- Rough opening dimensions may need to be increased to allow for use of building wraps, flashing, sill panning, brackets, fasteners or other items. See page 12 for details.
- Light colored areas are basic parts furnished by Andersen, Dark colored areas are recommended Andersen parts to complete unit assembly and must be specifically ordered.

Perma-Shield® Gliding Patio Doors

Sidelight Details Scale 1-1/2" = 1'-0" (1:8)



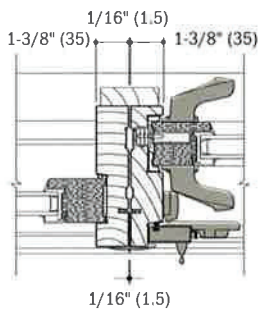
Vertical Section



Horizontal Section

Rough opening dimensions may need to be increased to allow for use of building wraps, flashings, sill panning, brackets, fasteners or other items. See page 12 for more details.

Joining Details Scale 1-1/2" = 1'-0" (1:8)



Non-Reinforced Mullion

Overall Unit Dimension Width:

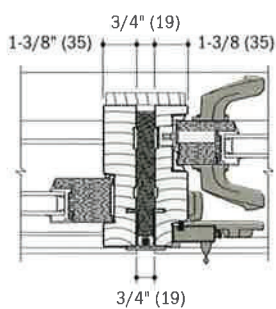
The sum of individual Unit Dimension Widths, plus 1/16" (1.5mm) for each unit joining.

Overall Rough Opening Width:

Add 3/4" (19mm) to Overall Unit Dimension Width.

Note: Andersen does not recommend non-reinforced mullion joining of receiver jamb to receiver jamb.

Andersen recommends installation of doors into separate rough openings. Consult with an architect or structural engineer regarding minimum requirements for structural support members between adjacent door rough openings.



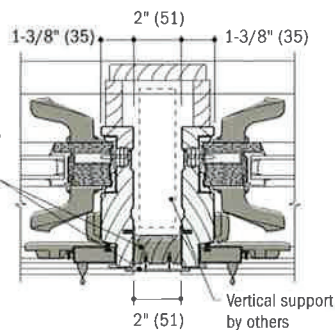
LVL Reinforced Mullion

Overall Unit Dimension Width:

The sum of individual Unit Dimension Widths, plus 3/4" (19mm) for each unit joining.

Overall Rough Opening Width:

Add 3/4" (19mm) to Overall Unit Dimension Width.

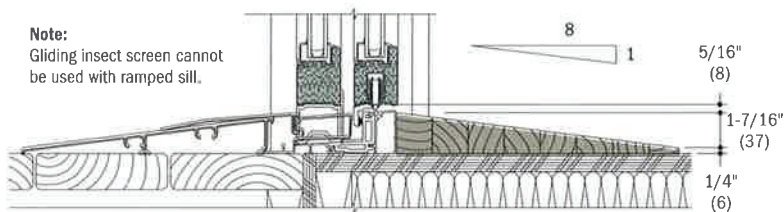


Support Mullion

To meet structural requirements or to achieve a wider mull appearance, you can install units into separate rough openings using vertical supports (supplied by others) in combination with Andersen® exterior filler and vinyl trim.

Ramped Sill Detail Scale 1-1/2" = 1'-0" (1:8)

Note:
Gliding insect screen cannot be used with ramped sill.



Vertical Section

Light colored areas are basic parts furnished by Andersen. Dark colored areas are recommended Andersen parts to complete unit assembly and must be specifically ordered.